

Instructions

For technical assistance
 call: 323-465-2131



40-1063-HS-4



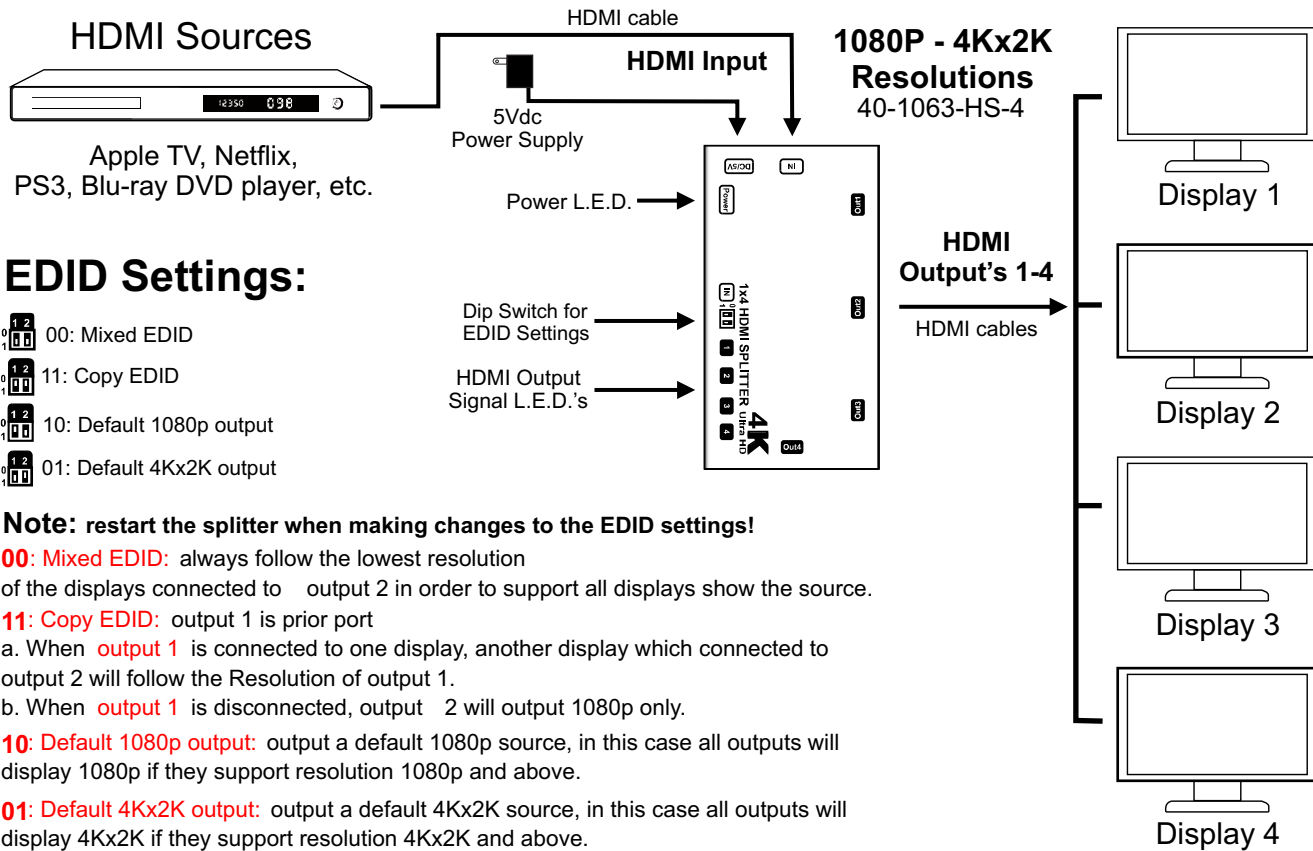
Power Supply

40-1063-HS-4
4-Way HDMI Splitter
 Supports 3D, 4Kx2K@60Hz
 (YUV 4:2:0) HDCP, EDID

Description

Calrad's 40-1063-HS-4 HDMI provides a simple solution for distribution of a HDTV 1080P or UHD 4K x 2K HDMI signal. A single HDMI source can be split into four separate HDMI outputs. Four L.E.D. Signal indicators provide HDMI signal connectivity on Outputs 1 thru 4. Selectable EDID settings, see the typical hookup diagram below. Includes 5Vdc, 1 Amp power supply.

Typical Hookup



EDID Settings:

- 00: Mixed EDID
- 11: Copy EDID
- 10: Default 1080p output
- 01: Default 4Kx2K output

Note: restart the splitter when making changes to the EDID settings!

- 00: Mixed EDID:** always follow the lowest resolution of the displays connected to output 2 in order to support all displays show the source.
- 11: Copy EDID:** output 1 is prior port
 - a. When output 1 is connected to one display, another display which connected to output 2 will follow the Resolution of output 1.
 - b. When output 1 is disconnected, output 2 will output 1080p only.
- 10: Default 1080p output:** output a default 1080p source, in this case all outputs will display 1080p if they support resolution 1080p and above.
- 01: Default 4Kx2K output:** output a default 4Kx2K source, in this case all outputs will display 4Kx2K if they support resolution 4Kx2K and above.

Specifications

Video Resolution: Up to 4Kx2K(3840x2160@60Hz YUV 4:2:0)
Input Bandwidth Frequency: 10.2Gps
Supports: 3D, 36 Bit Color
Supports four kinds of EDID settings: mixed EDID, copy EDID, default 1080p output, default 4Kx2K output.
Audio: Supports LPCM 7.1, Dolby TrueHD, Supports LPCM 7.1, Dolby Digital Plus, TrueHD Master Audio.
Power: 5Vdc
Size: L-4.5" x W-2.44" x H-.984"

Package Contents

- 1 x HDMI 4 Way Splitter
- 1 x 5V/1A DC Adapter
- 1 x User Manual

www.calrad.com

Note: Apple TV and Netflix are registered trademarks